

TECHNICAL SPECIFICATIONS

T1000 H

TECNA

Breaker code

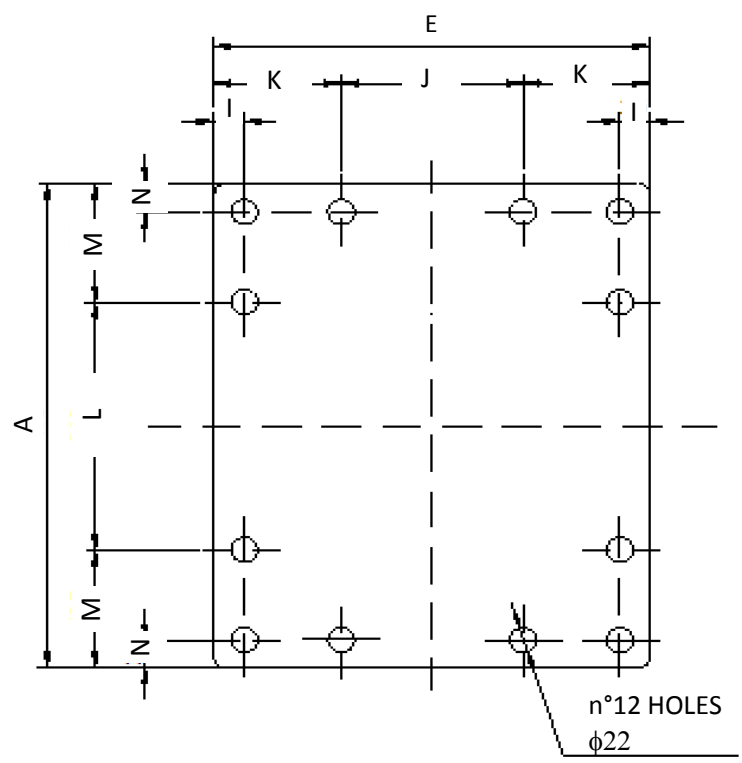
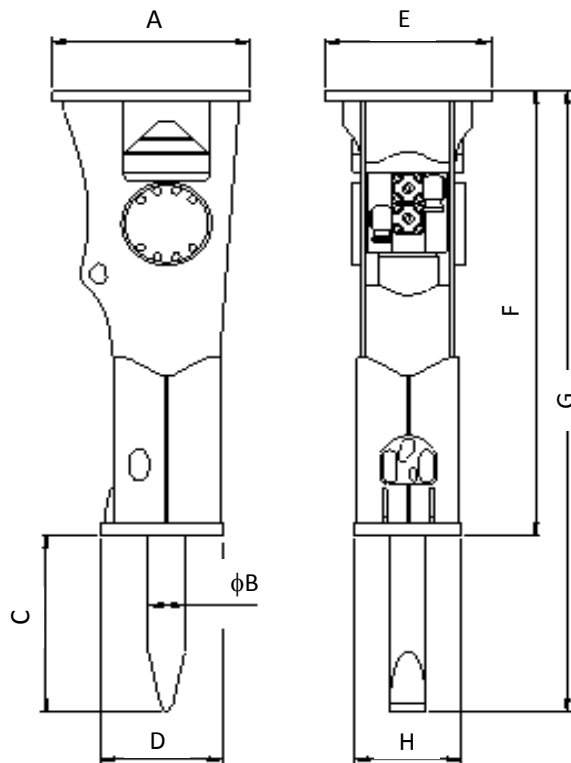
Rev.

Year

T10000

2.0

2016



Min. Plate thickness: 25 mm (1,0 in)

| | mm | in | | mm | in |
|-----|------|------|---|-----|------|
| A | 540 | 21,3 | H | 300 | 11,8 |
| φ B | 115 | 4,5 | I | 30 | 1,2 |
| C | 540 | 21,3 | J | 160 | 6,3 |
| D | 362 | 14,3 | K | 130 | 5,1 |
| E | 420 | 16,5 | L | 240 | 9,4 |
| F | 1486 | 58,5 | M | 150 | 5,9 |
| G | 2026 | 79,8 | N | 30 | 1,2 |

| I | GB | E | D | METRIC UNIT / IMPERIAL UNIT | | | |
|---------------------------------------|--|--------------------------------------|-------------------------------------|-----------------------------|-------|---------------|--------|
| PESO ESCAVATORE | SUITABLE EXCAVATOR | PESO EXCAVADORA | GEEIGNET FÜR TRÄGERGERÄT | 16 ÷ 20 | Ton | 35274 ÷ 44092 | lbs |
| PESO MEDIO OPERATIVO | OPERATING WEIGHT | PESO MEDIO OPERATIVO | ARBEITSGEWICHT DES HAMMERS | 1050 | Kg | 2314,9 | lbs |
| DIAMETRO UTENSILE | TOOL DIAMETER | DIAMETRO PICA | MEISSEL DURCHMESSER | 115 | mm | 4,53 | in |
| PORTATA | OIL SUPPLY | CAUDAL | ÖLBEDARF | 110 ÷ 130 | l/min | 29 ÷ 34 | GPM |
| PRESSIONE DI LAVORO | BREAKER WORKING PRESSURE | PRESSION EN EL MARTILLO | ARBEITSSOLDRUCK IM HYDRAULIKHAMMER | 130 ÷ 160 | bar | 1885 ÷ 2321 | PSI |
| PRESSIONE REGOLATA ALL'ESCAVATORE | RELIEF PRESSURE SETTING | PRESSION EN LA EXCAVADORA | ARBEITSSOLDRUCK IM TRÄGERGERÄT | 200 | bar | 2901 | PSI |
| CONTROPRESSIONE MAX | MAX BACK PRESSURE | CONTRAPRESSION MAX | MAX STAUDRUCK | 15 | bar | 218 | PSI |
| POTENZA INGRESSO (MAX) | INPUT POWER (MAX) | POTENCIA DE ENTRADA (MAX) | EINGANGS LEISTUNG (MAX) | 24 | Kw | 32,2 | HP |
| CLASSE DI ENERGIA D'URTO | IMPACT ENERGY CLASS | ENERGIA DE IMPACTO CLASE | KLASSE SCHLAGENERGIE | 2160 | J | 1594 | Ft/lbs |
| NUMERO DI COLPI AL MINUTO | IMPACT RATE | GOLPES MINUTO | SCHLAGZAHL PRO MINUTE | 450 ÷ 600 | BPM | 450 ÷ 600 | BPM |
| TEMPERATURA MAX OLIO IDRAULICO | MAX TEMPERATURE HYDRAULIC OIL | TEMP. MAX DE ACEITE HIDRAULICO | MAX ÖLTEMPERATUR | 80 | °C | 176 | °F |
| TUBAZIONE IMPIANTO MANDATA (Ø min.) | RECOMMENDED INLET LINE SIZE (Ø min.) | TUBERIA INSTALACION PRESION (Ø min.) | EMPFOHLENE VORLAUF LEITUNG (Ø min.) | 20 | mm | 0,79 | in |
| TUBAZIONE IMPIANTO RITORNO (Ø min.) | RECOMMENDED RETURN LINE SIZE (Ø min.) | TUBERIA INSTALACION RITORNO (Ø min.) | EMPFOHLENE RUECKL. LEITUNG (Ø min.) | 28 | mm | 1,10 | in |
| LUNGHEZZA CONSIGLIATA TUBI FLESSIBILI | SUGGESTED MIN FLEX HOSES LENGTH | LONGITUD MAXIMA LATIGUILLO | LÄNGE HAMMER ANSCHLUSS SCHLAUCH | 2400 | mm | 94,5 | in |
| ATTACCO INGRESSO DEMOLITORE | HOSE CONNECTION AT THE BREAKER'S INLET LINE | RACOR PRESSION MARTILLO | HAMMER SCHLAUCH RÜCKLAUF | 1" G | | 1" G | |
| ATTACCO USCITA DEMOLITORE | HOSE CONNECTION AT THE BREAKER'S RETURN LINE | RACOR RITORNO MARTILLO | HAMMER SCHLAUCH VORLAUF | 1" G | | 1" G | |